

=

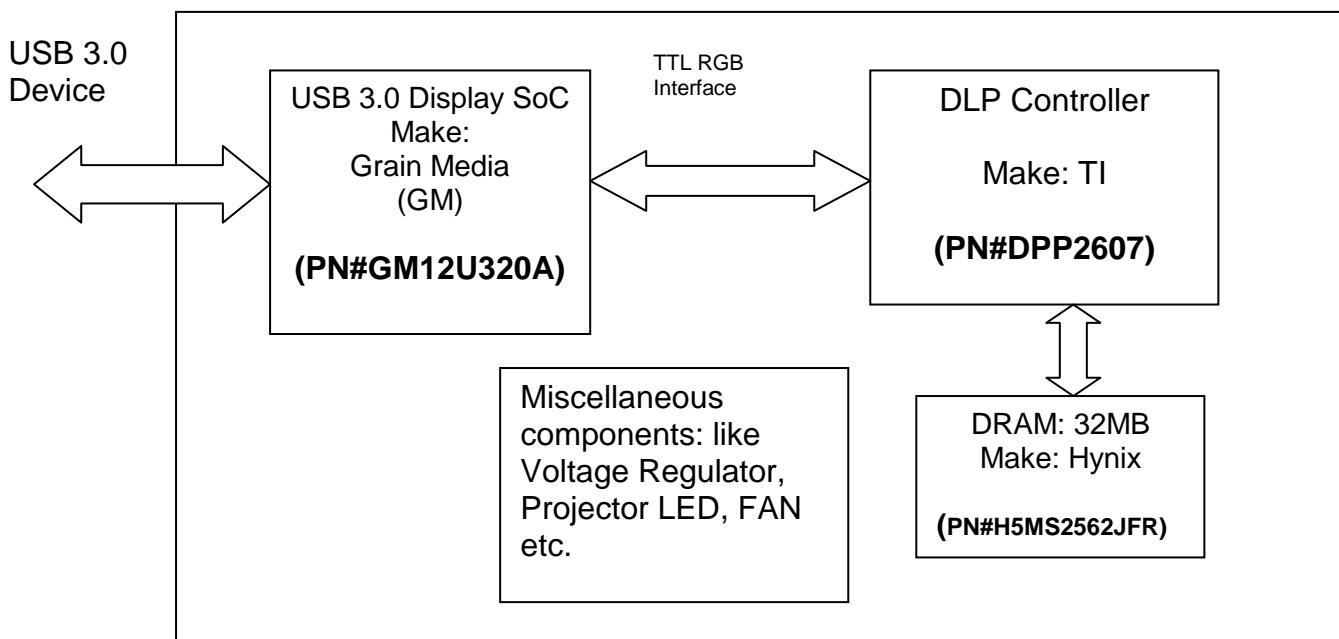
## 1. PRODUCT DETAILS:

Acer C120 is USB 3.0 Projector.

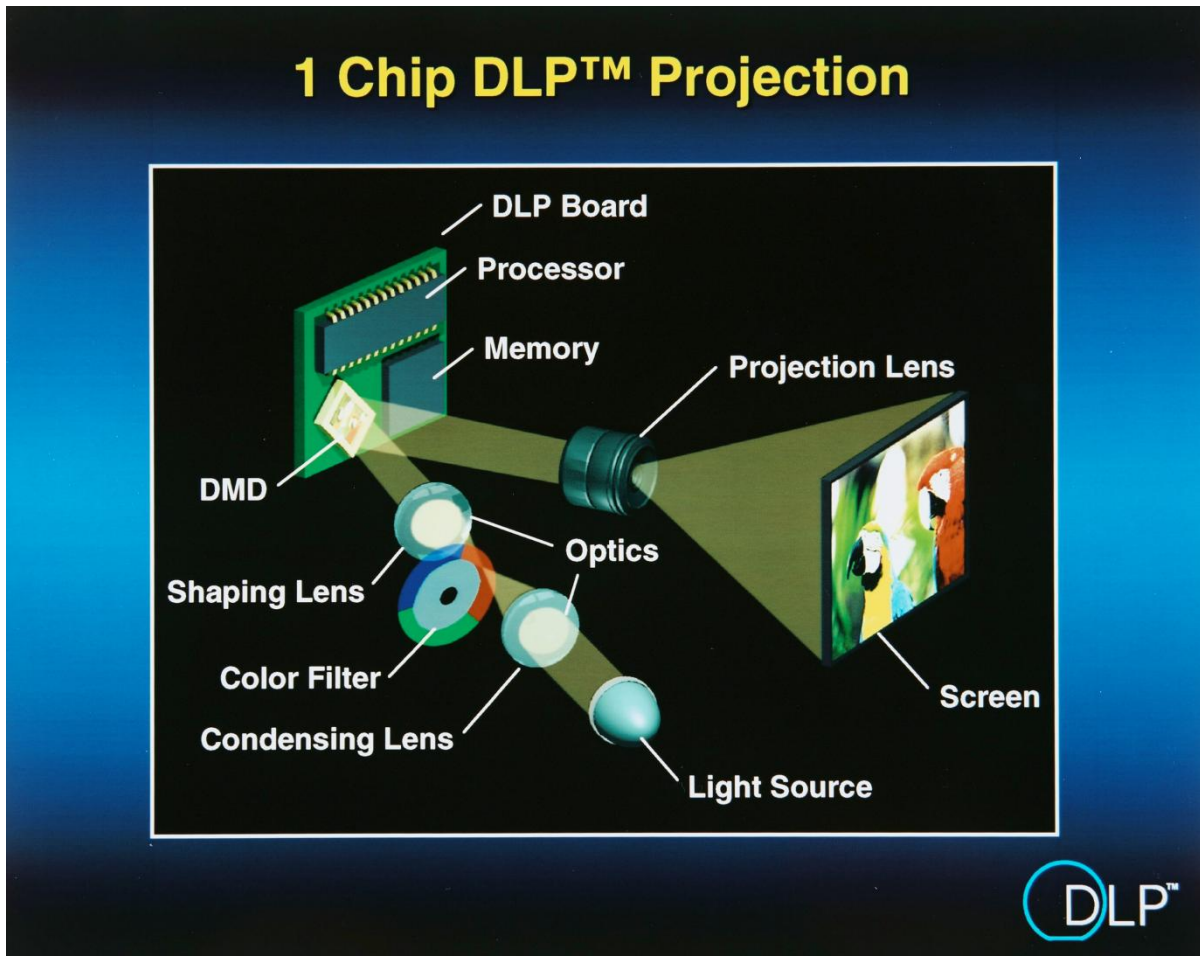


- More details on the product and product specifications are available [here](#).
- It uses TI's DLP (Pico Projector) Technology. For more details on the DLP, click [here](#).

## 2. SIMPLIFIED BLOCK DIAGRAM:



**Note:** Datasheets for Grain Media USB 3.0 controller and TI's DPP2607 are not available on the web. Block diagram is based on certain assumption made by author after looking at these products top level descriptions.

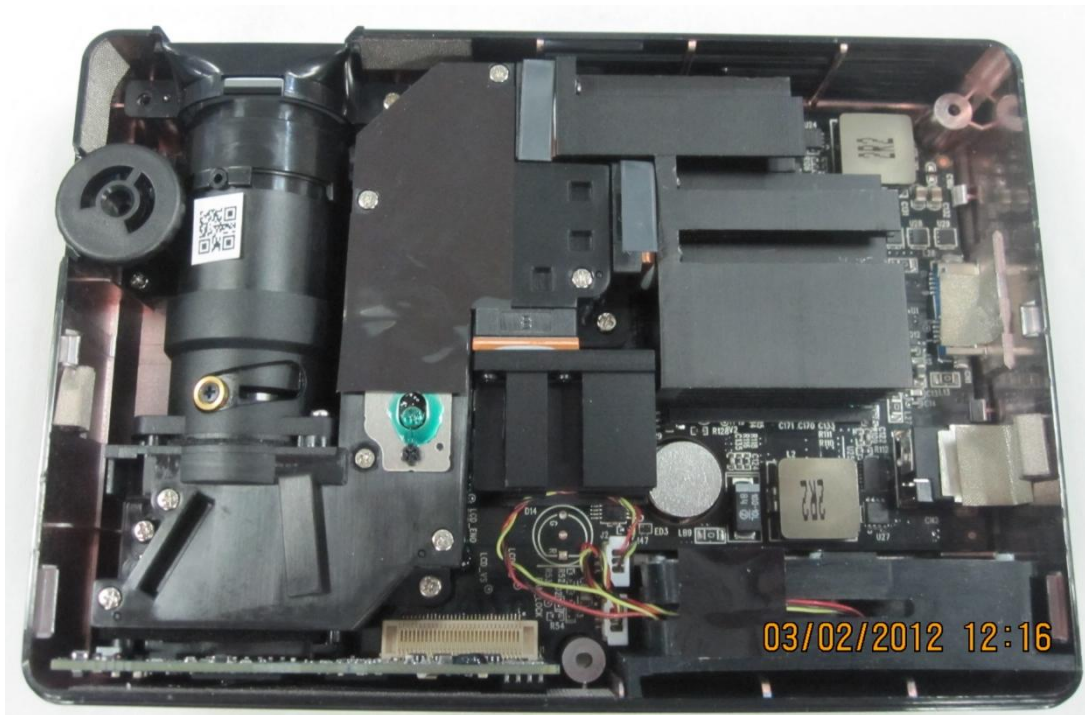


The Acer C120 projector consist three main components

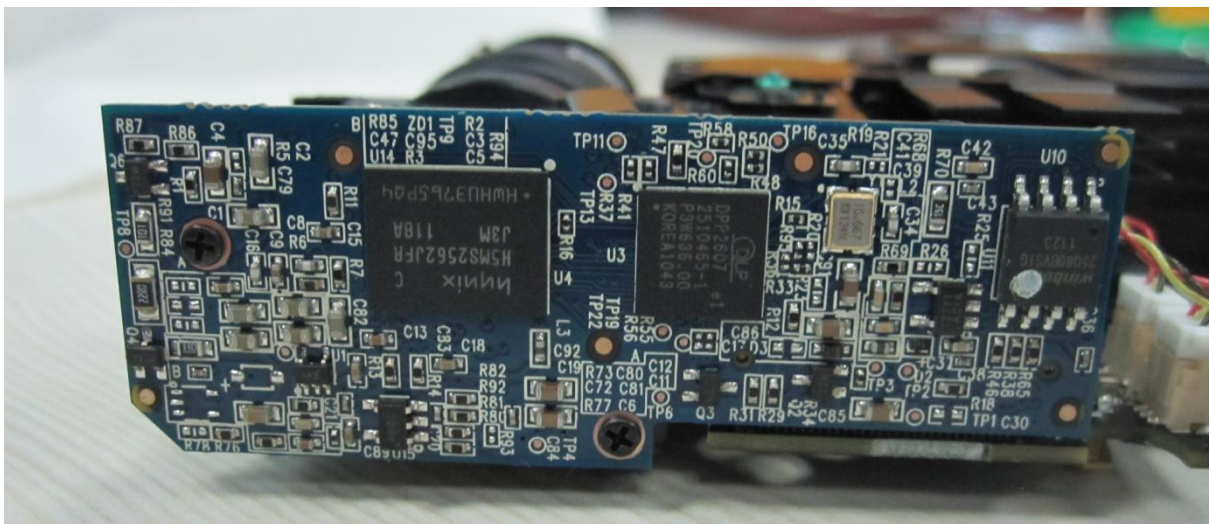
1. **USB 3.0 Display SoC(GM12U320A) from Grain Media**
2. DLP Chip(DPP2607) from TI
3. Mobile DDR (H5MS2562JFR)) from Hynix.

**Product internal View:**

**1. Projector View from Top Opening**



**2. DLP Chip and DRAM**



### 3. USB 3.0 Display SoC and Power Circuitry

